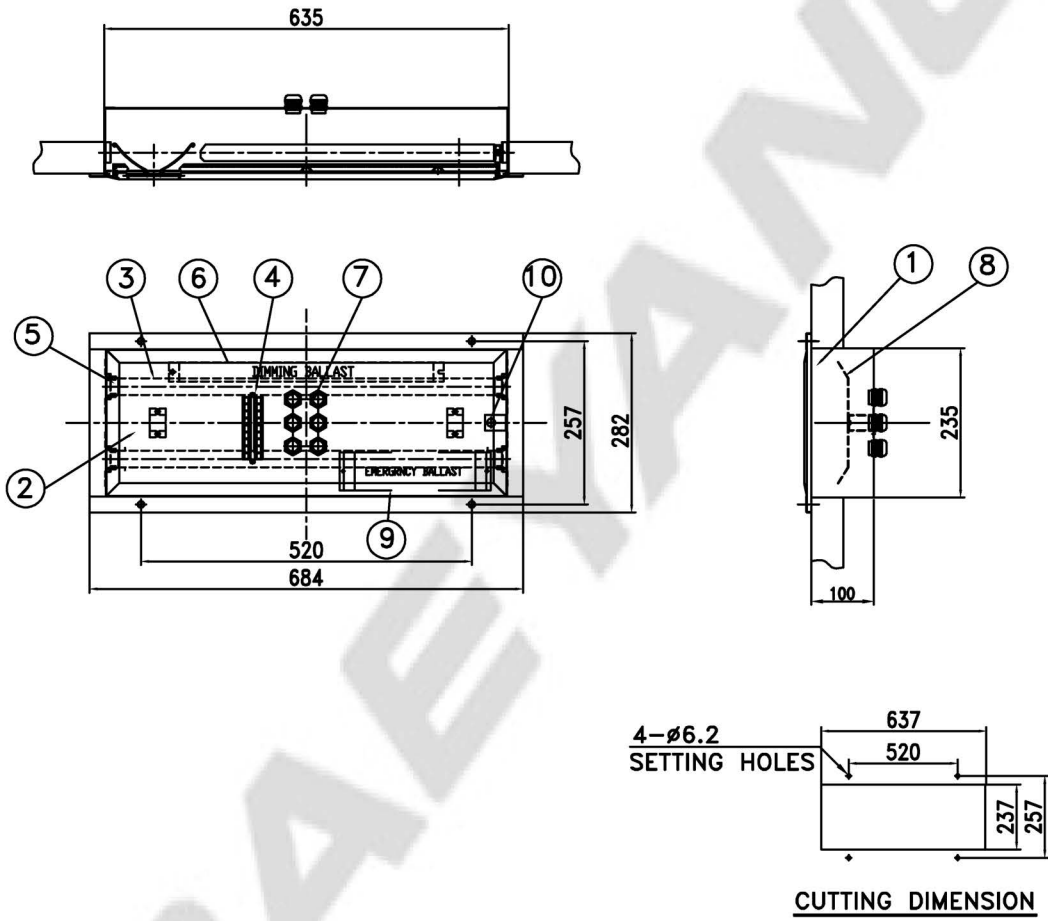


CAPACITY	SYMBOL / SERIAL NO.	CIRCUIT DIAGRAM
AC 230V, 50Hz		
18W x 2		



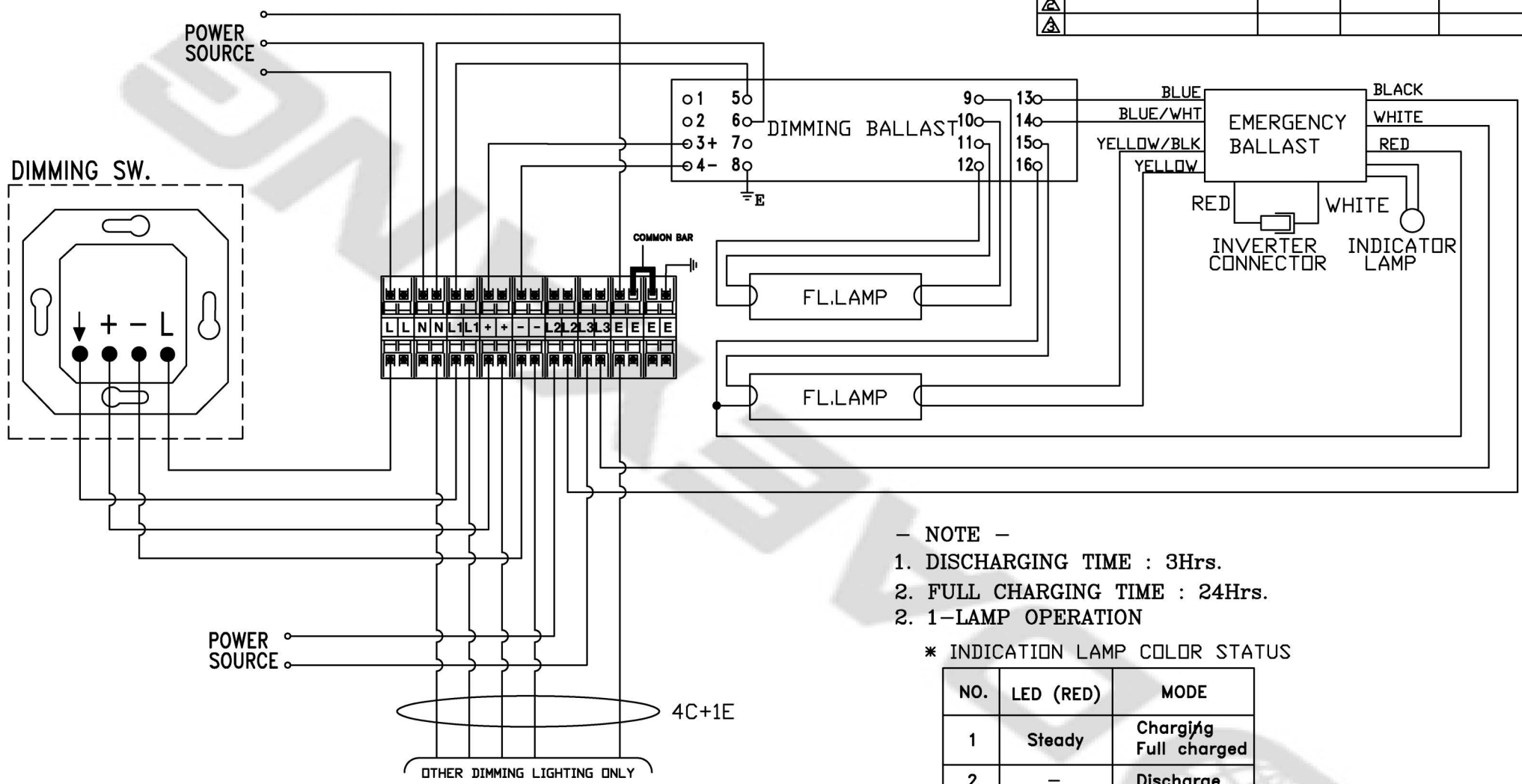
10	INDICATION LAMP	-	1		5	LAMP HOLDER	POLYCAR-BONATE	4	
9	EM'CY BALLAST	-	1		4	TERMINAL BLOCK	NYLON	1	CLAMPING 9P (2.5SQ)
8	REFLECTOR	STEEL	1		3	FL. LAMP	-	2	
7	CABLE GLAND(M25)	BRASS	6	ø9~ø17	2	GLOBE	POLYCAR-BONATE	1	
6	DIMMING BALLAST	-	1		1	BODY	STEEL	1	
NO	NAME OF PARTS	MATERIAL	Q'TY	REMARKS	NO	NAME OF PARTS	MATERIAL	Q'TY	REMARKS

APPROVED	O. J. KWON	UNIT	MM	TITLE; FLUORESCENT CEILING LIGHT (NO-GAP, FLUSH TYPE) (DIMMING CONTROL) FOR MARINE USE
CHECKED		SCALE	N/S	
DRAWING	B. I. KIM	COLOR	N-9.3	
DATE	2019.03.03	IP	44	



MODEL NO.	FL220WF-0235EISNDBb-A(R25M)	WEIGHT	6.6 Kg
DWG NO.	L11350263	SHEET NO.	25

NO	CONTENT	DATE	REVISER	APPROVAL
△				
△				
△				



- NOTE -
1. DISCHARGING TIME : 3Hrs.
  2. FULL CHARGING TIME : 24Hrs.
  2. 1-LAMP OPERATION

\* INDICATION LAMP COLOR STATUS

NO.	LED (RED)	MODE
1	Steady	Charging Full charged
2	-	Discharge

TITLE: FL220WF-0235EISNDb-A(R25M)				SCALE	N/S	UNIT	MM	NO.	REVISED
Connection Diagram				PROJECT METHOD	WEIGHT	KG		△	
								△	
DAEYANG				APPROVED	B. K. KIM			MATERIAL	ASS'Y
				CHECKED	J. W. PARK			DWG NO.	
DATE				DATE	2016. 02. 01			SHEET NO.	25-A